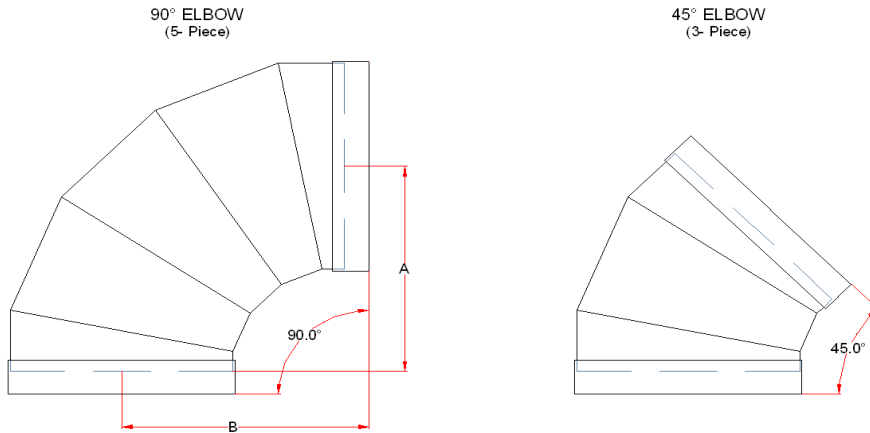




Submittal Data Information
45° & 90° PVC Elbows

DIMENSION



| STANDARD SIZE 90° PVC ELBOW SPECIFICATION CHART | | | | | | |
|---|-------------------|-------------------|-------|------|------------------------|----------|
| MODEL NO. | NOMINAL DUCT SIZE | AVERAGE DUCT O.D. | A | B | AVERAGE WALL THICKNESS | END TYPE |
| 90-PVC-6-1 | 6 | 6.625 | 6.625 | A+2" | 0.187 | SOCKET |
| 90-PVC-7-1 | 7 | 7.375 | 7.375 | A+2" | 0.187 | |
| 90-PVC-8-1 | 8 | 8.625 | 8.625 | A+2" | 0.187 | |
| 90-PVC-9-1 | 9 | 9.375 | 9.375 | A+2" | 0.187 | |
| 90-PVC-10-1 | 10 | 10.75 | 10.75 | A+2" | 0.187 | |
| 90-PVC-12-1 | 12 | 12.75 | 12.75 | A+2" | 0.187 | |
| 90-PVC-14-1 | 14 | 14 | 14 | A+2" | 0.187 | |
| 90-PVC-16-1 | 16 | 16 | 16 | A+2" | 0.187 | |
| 90-PVC-18-1 | 18 | 18 | 18 | A+2" | 0.187 | |
| 90-PVC-20-1 | 20 | 20 | 20 | A+3" | 0.219 | |
| 90-PVC-24-1 | 24 | 24 | 24 | A+3" | 0.25 | |

| STANDARD SIZE 45° PVC ELBOW SPECIFICATION CHART | | | | |
|---|-------------------|-------------------|------------------------|----------|
| MODEL NO. | NOMINAL DUCT SIZE | AVERAGE DUCT O.D. | AVERAGE WALL THICKNESS | END TYPE |
| 45-PVC-6-1 | 6 | 6.625 | 0.187 | SOCKET |
| 45-PVC-7-1 | 7 | 7.375 | 0.187 | |
| 45-PVC-8-1 | 8 | 8.625 | 0.187 | |
| 45-PVC-9-1 | 9 | 9.375 | 0.187 | |
| 45-PVC-10-1 | 10 | 10.75 | 0.187 | |
| 45-PVC-12-1 | 12 | 12.75 | 0.187 | |
| 45-PVC-14-1 | 14 | 14 | 0.187 | |
| 45-PVC-16-1 | 16 | 16 | 0.187 | |
| 45-PVC-18-1 | 18 | 18 | 0.187 | |
| 45-PVC-20-1 | 20 | 20 | 0.219 | |
| 45-PVC-24-1 | 24 | 24 | 0.25 | |

STANDARD SIZE ELBOWS FABRICATED FROM SEAMLESS EXTRUDED PVC DUCT

ALL FITTING DIMENSIONS BASED ON 1:1 FITTING RATIO

FITTING SEGMENTS TRIPLE-PASS WELDED USING 5/32" PVC WELDING ROD

ALL DIMENSIONS IN INCHES

ALL DIMENSIONS ARE TO CSSI STANDARDS AND ARE SUBJECT TO CHANGE