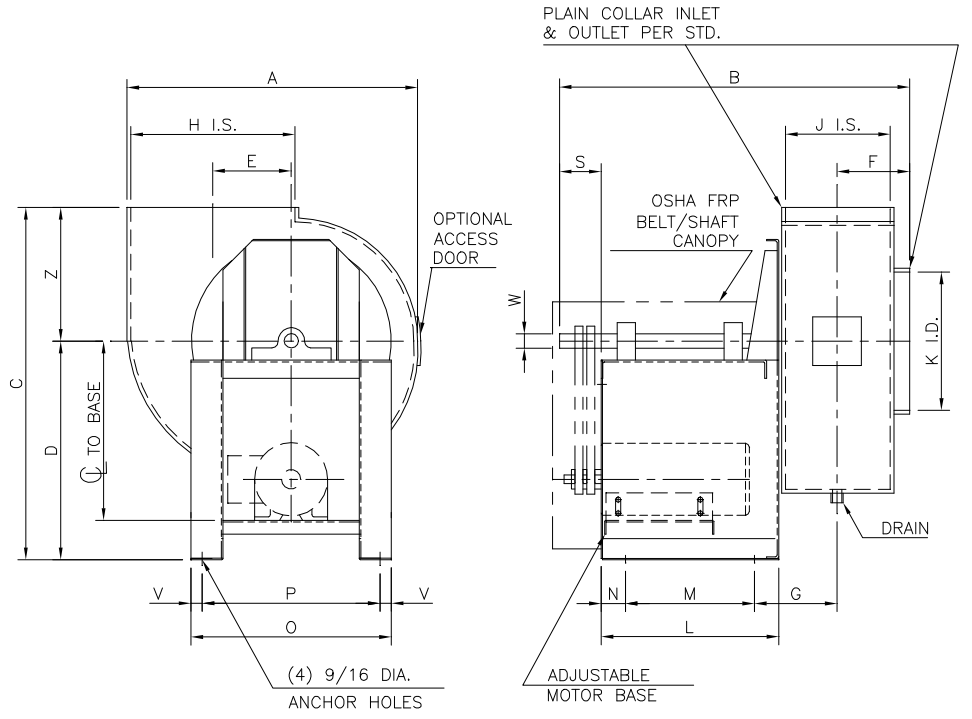
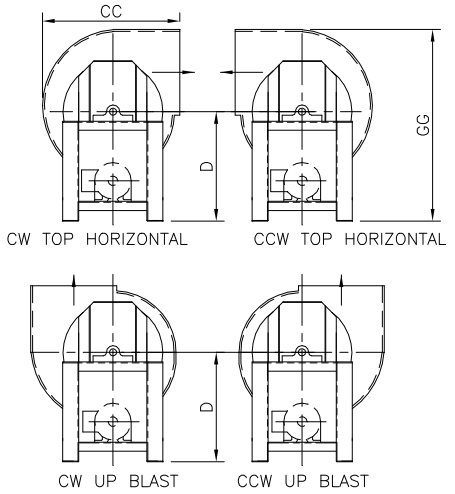
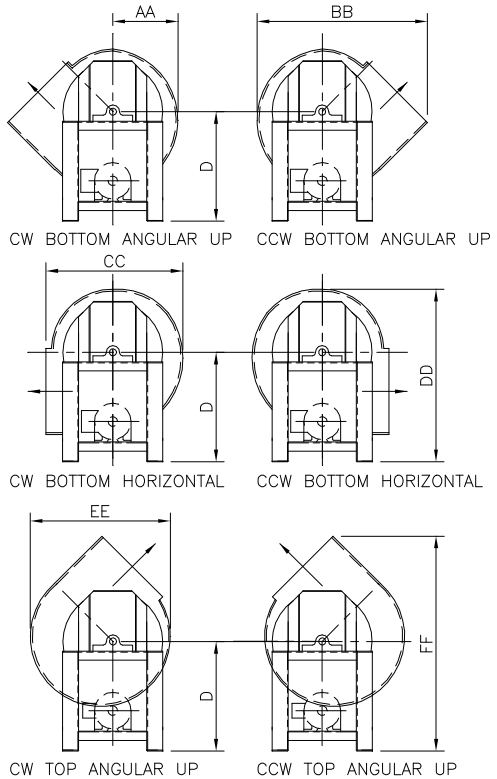


FAN SIZE	INLET AREA	OUTLET AREA	A	B	C	D	E	F	G	H	J	K	L	M	N	O	P	R	S	V	W	Z	AA	BB	CC	DD	EE	FF	GG	DRAIN SIZE
14	1.375	1.285	26 1/2	35 3/8	29 3/8	18	6 3/4	9	8 3/8	15 3/4	11 3/4	14	17	13	2	20	18 1/2	9 1/4	3 3/4	1 3/16	11 3/8	12 1/2	30 3/4	24 3/4	29 5/8	24 1/2	36 1/2	33	3/4	
18	1.770	1.790	31 1/8	41 3/4	37 3/8	24	7 15/16	10 1/4	10	18 5/8	13 7/8	18	20	15	2 1/2	23	21 1/2	10 3/4	4 3/4	1 7/16	13 3/8	14 1/2	36 5/16	29	37 5/8	29 1/2	45 7/8	41 1/2	3/4	
20	2.180	2.460	37 3/8	44 13/16	40 5/16	24	9 3/4	11 3/4	11 9/16	22 5/8	16 7/8	20	20	15	2 1/2	23	21 1/2	10 3/4	4 3/4	1 7/16	16 5/16	17 3/4	44 3/8	35 1/4	40 5/8	35 1/2	51	45 9/16	1	
24	3.140	3.540	43 1/2	51 7/16	46 5/8	28	11 3/16	13	12 15/16	26	19 5/8	24	23	18	2 1/2	26	24	12	5	1 7/16	18 5/8	23 1/2	51	40 3/8	47 1/8	40 7/8	58 1/2	52 3/4	1	

FAN SIZE	C/L TO BASE	WEIGHT W/O MOTOR	IMPELLER DIA.
14	14±1 1/2	195 LBS.	15
18	20 1/2±1 1/2	225 LBS.	18 1/4
20	20 1/2±1 1/2	300 LBS.	22 1/4
24	24±2	410 LBS.	25 1/2



- NOTES:
1. ALL TABLED DIMENSIONS ARE IN INCHES.
  2. ALL DISCHARGE POSITIONS & ROTATIONS ARE VIEWED FROM THE SHAFT END.
  3. MOTOR FRAME SIZES VARY IN LENGTH WITH DIFFERENT MOTOR MANUFACTURER. THE STANDARD FAN BASE DIMENSIONS ARE SUBJECT TO CHANGE BASED ON THE MOTOR "C" DIMENSIONS.
  4. DIMENSIONS NOT TO BE USED FOR CONSTRUCTION CERTIFIED PRINTS ARE AVAILABLE.
  5. CLASS IV CONSTRUCTION, DIRECT DRIVE & SPECIAL ARRANGEMENT FAN BASES ARE AVAILABLE. CERTIFIED DRAWINGS ARE AVAILABLE ON REQUEST.

**FBB Series Fans**  
**Industrial Plastic Fan**  
 128 New Boston St Woburn, MA 01801  
 (800) 891-3656