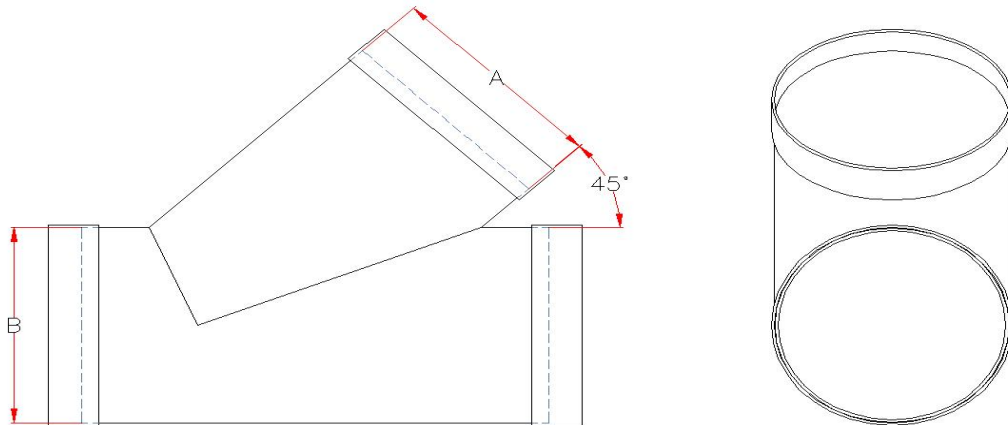




Submittal Data Information
PVC 45° Wye Branch

DIMENSIONS



STANDARD SIZE PVC 45° WYE BRANCH SPECIFICATION CHART				
MODEL NO.	NOMINAL SIZE	A	B	"B" END TYPE
BR45-6-6	6 ON 6	6.625 + 1/16	6.625 + 1/16	SOCKET
BR45-6-7	6 ON 7	6.625 + 1/16	7.375 + 1/16	
BR45-6-8	6 ON 8	6.625 + 1/16	8.625 + 1/16	
BR45-6-9	6 ON 9	6.625 + 1/16	9.375 + 1/16	
BR45-6-10	6 ON 10	6.625 + 1/16	10.75 + 1/16	
BR45-6-12	6 ON 12	6.625 + 1/16	12.75 + 1/16	
BR45-6-14	6 ON 14	6.625 + 1/16	14 + 1/16	
BR45-6-16	6 ON 16	6.625 + 1/16	16 + 1/16	
BR45-6-18	6 ON 18	6.625 + 1/16	18 + 1/16	
BR45-6-20	6 ON 20	6.625 + 1/16	20 + 1/16	
BR45-6-24	6 ON 24	6.625 + 1/16	24 + 1/16	
BR45-7-7	7 ON 7	7.375 + 1/16	7.375 + 1/16	
BR45-7-8	7 ON 8	7.375 + 1/16	8.625 + 1/16	
BR45-7-9	7 ON 9	7.375 + 1/16	9.375 + 1/16	
BR45-7-10	7 ON 10	7.375 + 1/16	10.75 + 1/16	
BR45-7-12	7 ON 12	7.375 + 1/16	12.75 + 1/16	
BR45-7-14	7 ON 14	7.375 + 1/16	14 + 1/16	
BR45-7-16	7 ON 16	7.375 + 1/16	16 + 1/16	
BR45-7-18	7 ON 18	7.375 + 1/16	18 + 1/16	
BR45-7-20	7 ON 20	7.375 + 1/16	20 + 1/16	
BR45-7-24	7 ON 24	7.375 + 1/16	24 + 1/16	
BR45-8-8	8 ON 8	8.625 + 1/16	8.625 + 1/16	
BR45-8-9	8 ON 9	8.625 + 1/16	9.375 + 1/16	
BR45-8-10	8 ON 10	8.625 + 1/16	10.75 + 1/16	
BR45-8-12	8 ON 12	8.625 + 1/16	12.75 + 1/16	
BR45-8-14	8 ON 14	8.625 + 1/16	14 + 1/16	
BR45-8-16	8 ON 16	8.625 + 1/16	16 + 1/16	

STANDARD SIZE PVC 45° WYE BRANCH SPECIFICATION CHART				
MODEL NO.	NOMINAL SIZE	A	B	"B" END TYPE
BR45-8-18	8 ON 18	8.625 + 1/16	18 + 1/16	SOCKET
BR45-8-20	8 ON 20	8.625 + 1/16	20 + 1/16	
BR45-8-24	8 ON 24	8.625 + 1/16	24 + 1/16	
BR45-9-9	9 ON 9	9.375 + 1/16	9.375 + 1/16	
BR45-9-10	9 ON 10	9.375 + 1/16	10.75 + 1/16	
BR45-9-12	9 ON 12	9.375 + 1/16	12.75 + 1/16	
BR45-9-14	9 ON 14	9.375 + 1/16	14 + 1/16	
BR45-9-16	9 ON 16	9.375 + 1/16	16 + 1/16	
BR45-9-18	9 ON 18	9.375 + 1/16	18 + 1/16	
BR45-9-20	9 ON 20	9.375 + 1/16	20 + 1/16	
BR45-9-24	9 ON 24	9.375 + 1/16	24 + 1/16	
BR45-10-10	10 ON 10	10.75 + 1/16	10.75 + 1/16	
BR45-10-12	10 ON 12	10.75 + 1/16	12.75 + 1/16	
BR45-10-14	10 ON 14	10.75 + 1/16	14 + 1/16	
BR45-10-16	10 ON 16	10.75 + 1/16	16 + 1/16	
BR45-10-18	10 ON 18	10.75 + 1/16	18 + 1/16	
BR45-10-20	10 ON 20	10.75 + 1/16	20 + 1/16	
BR45-10-24	10 ON 24	10.75 + 1/16	24 + 1/16	
BR45-12-12	12 ON 12	12.75 + 1/16	12.75 + 1/16	
BR45-12-14	12 ON 14	12.75 + 1/16	14 + 1/16	
BR45-12-16	12 ON 16	12.75 + 1/16	16 + 1/16	
BR45-12-18	12 ON 18	12.75 + 1/16	18 + 1/16	
BR45-12-20	12 ON 20	12.75 + 1/16	20 + 1/16	
BR45-12-24	12 ON 24	12.75 + 1/16	24 + 1/16	
BR45-14-14	14 ON 14	14 + 1/16	14 + 1/16	
BR45-14-16	14 ON 16	14 + 1/16	16 + 1/16	
BR45-14-18	14 ON 18	14 + 1/16	18 + 1/16	
BR45-14-20	14 ON 20	14 + 1/16	20 + 1/16	
BR45-14-24	14 ON 24	14 + 1/16	24 + 1/16	
BR45-16-16	16 ON 16	16 + 1/16	16 + 1/16	
BR45-16-18	16 ON 18	16 + 1/16	18 + 1/16	
BR45-16-20	16 ON 20	16 + 1/16	20 + 1/16	
BR45-16-24	16 ON 24	16 + 1/16	24 + 1/16	
BR45-18-18	18 ON 18	18 + 1/16	18 + 1/16	
BR45-18-20	18 ON 20	18 + 1/16	20 + 1/16	
BR45-18-24	18 ON 24	18 + 1/16	24 + 1/16	
BR45-20-20	20 ON 20	20 + 1/16	20 + 1/16	
BR45-20-24	20 ON 24	20 + 1/16	24 + 1/16	
BR45-24-24	24 ON 24	20 + 1/16	24 + 1/16	

CONSTRUCTED FROM PVC DUCT FOR USE IN VENTILATION SYSTEMS.

FITTING PIECES TRIPLE-PASS WELDED USING 5/32" PVC WELDING ROD

ALL DIMENSIONS IN INCHES