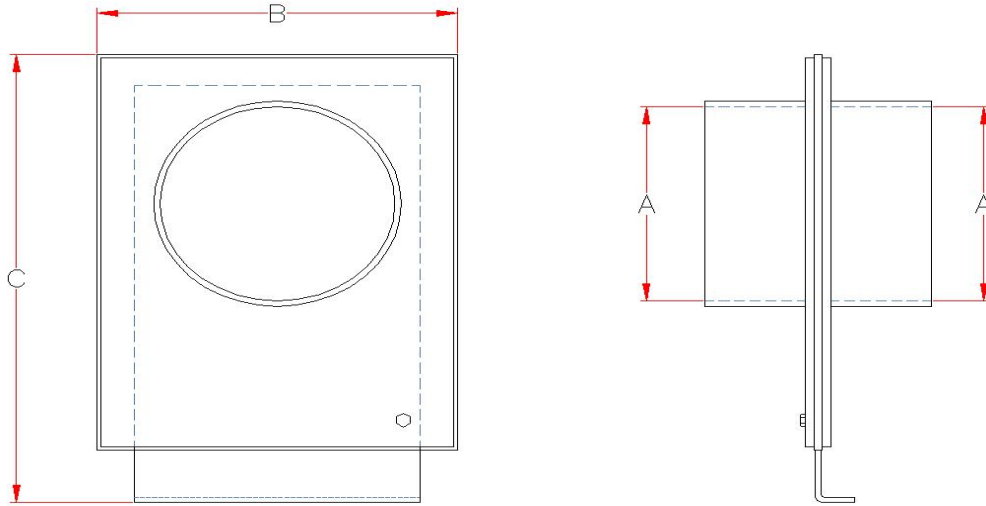




Submittal Data Information
PVC Blast Gates

DIMENSIONS



STANDARD SIZE PVC BLAST GATE SPECIFICATION CHART					
MODEL NO.	NOMINAL DUCT SIZE	A	B*	C*	FULLY OPENED GATE*
BG-PVC-3	3	3.5 + 1/16	7.75	11	15.25
BG-PVC-4	4	4.5 + 1/16	7.75	11	15.25
BG-PVC-6	6	6.625 + 1/16	9.75	13.75	20
BG-PVC-7	7	7.375 + 1/16	10.75	15	22
BG-PVC-8	8	8.625 + 1/16	11.75	16	24.25
BG-PVC-9	9	9.375 + 1/16	12.75	17	26
BG-PVC-10	10	10.75 + 1/16	14.25	20	30.375
BG-PVC-12	12	12.75 + 1/16	16.25	22	34.375
BG-PVC-14	14	14 + 1/16	17.25	24	37.625
BG-PVC-16	16	16 + 1/16	19.25	27	42.625
BG-PVC-18	18	18 + 1/16	21.5	30	47.625
BG-PVC-20	20	20 + 1/16	23.5	33	52.562
BG-PVC-24	24	24 + 1/16	27.5	39	62.5

* WITHIN 1/4"

CONSTRUCTED FROM PVC DUCT AND TYPE I PVC SHEET FOR USE IN VENTILATION SYSTEMS

WELDED CONSTRUCTION USING 5/32" PVC WELDING ROD

ALL DIMENSIONS IN INCHES