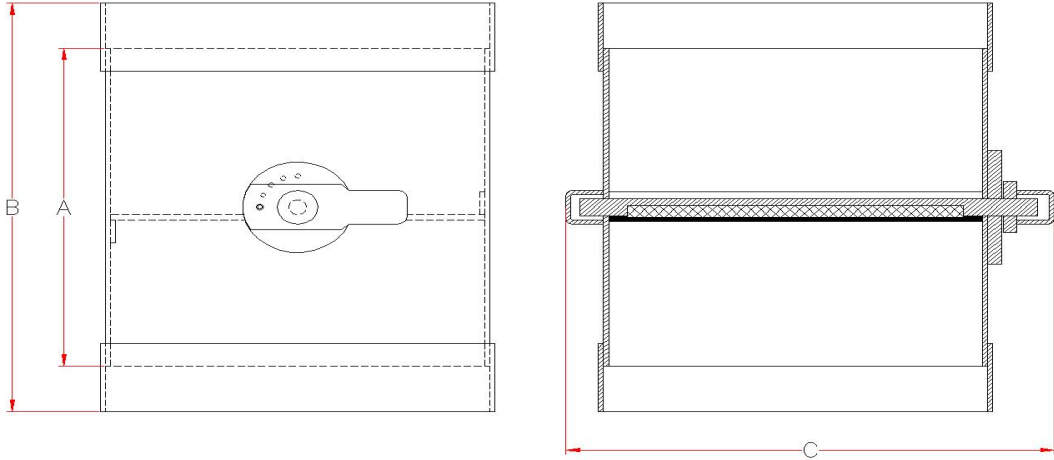




**Submittal Data Information**  
**PVC Butterfly Damper**

**DIMENSIONS**



STANDARD SIZE PVC BUTTERFLY DAMPER SPECIFICATION CHART					
MODEL NO.	NOMINAL DUCT SIZE	CONNECTION I.D.	A*	B*	C*
D-PVC-6	6	6.625 + 1/16	8	12	10.5
D-PVC-7	7	7.375 + 1/16	8	12	11.3
D-PVC-8	8	8.625 + 1/16	8	12	12.5
D-PVC-9	9	9.375 + 1/16	10	14	13.2
D-PVC-10	10	10.75 + 1/16	10	14	14.6
D-PVC-12	12	12.75 + 1/16	12	16	16.6
D-PVC-14	14	14 + 1/16	14	18	17.9
D-PVC-16	16	16 + 1/16	16	20	20.3
D-PVC-18	18	18 + 1/16	18	22	22.3
D-PVC-20	20	20 + 1/16	20	26	24.3
D-PVC-24	24	24 + 1/16	30	36	28.3

\*WITHIN 1/4 INCH

**CONSTRUCTED FROM PVC DUCT AND TYPE I PVC SHEET FOR USE IN VENTILATION SYSTEMS**

**WELDED CONSTRUCTION USING 5/32" PVC WELDING ROD**

**ALL DIMENSIONS IN INCHES**