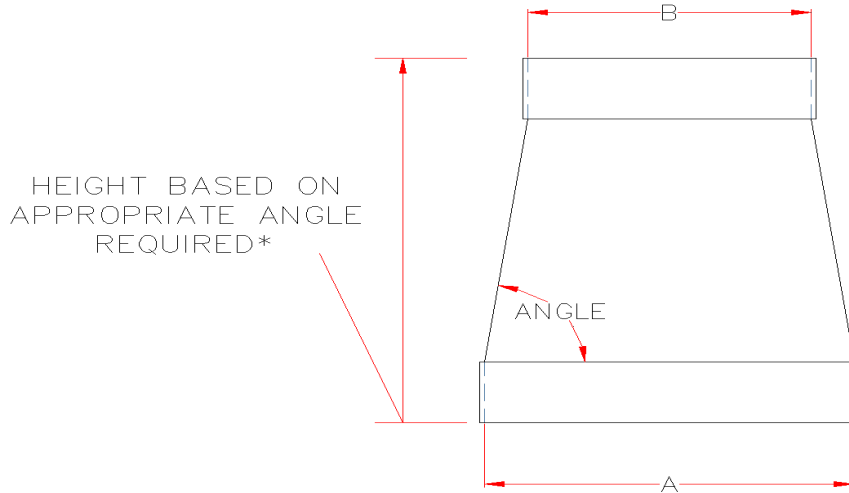




Submittal Data Information
PVC Reducers

DIMENSIONS



STANDARD SIZE PVC REDUCER SPECIFICATION CHART				
MODEL NO.	NOMINAL REDUCER SIZE	A	B	END TYPE
RE-PVC-6-4	6 TO 4	6.625 + 1/16	4.5 + 1/16	SOCKET
RE-PVC-8-4	8 TO 4	8.625 + 1/16	4.5 + 1/16	
RE-PVC-8-6	8 TO 6	8.625 + 1/16	6.625 + 1/16	
RE-PVC-10-6	10 TO 6	10.75 + 1/16	6.625 + 1/16	
RE-PVC-10-8	10 TO 8	10.75 + 1/16	8.625 + 1/16	
RE-PVC-12-6	12 TO 6	12.75 + 1/16	6.625 + 1/16	
RE-PVC-12-8	12 TO 8	12.75 + 1/16	8.625 + 1/16	
RE-PVC-12-10	12 TO 10	12.75 + 1/16	10.75 + 1/16	
RE-PVC-14-6	14 TO 6	14 + 1/16	6.625 + 1/16	
RE-PVC-14-8	14 TO 8	14 + 1/16	8.625 + 1/16	
RE-PVC-14-10	14 TO 10	14 + 1/16	10.75 + 1/16	
RE-PVC-14-12	14 TO 12	14 + 1/16	12.75 + 1/16	
RE-PVC-16-8	16 TO 8	16 + 1/16	8.625 + 1/16	
RE-PVC-16-10	16 TO 10	16 + 1/16	10.75 + 1/16	
RE-PVC-16-12	16 TO 12	16 + 1/16	12.75 + 1/16	
RE-PVC-16-14	16 TO 14	16 + 1/16	14 + 1/16	
RE-PVC-18-8	18 TO 8	18 + 1/16	8.625 + 1/16	
RE-PVC-18-10	18 TO 10	18 + 1/16	10.75 + 1/16	
RE-PVC-18-12	18 TO 12	18 + 1/16	12.75 + 1/16	
RE-PVC-18-14	18 TO 14	18 + 1/16	14 + 1/16	
RE-PVC-18-16	18 TO 16	18 + 1/16	16 + 1/16	
RE-PVC-20-10	20 TO 10	20 + 1/16	10.75 + 1/16	
RE-PVC-20-12	20 TO 12	20 + 1/16	12.75 + 1/16	
RE-PVC-20-14	20 TO 14	20 + 1/16	14 + 1/16	
RE-PVC-20-16	20 TO 16	20 + 1/16	16 + 1/16	
RE-PVC-20-18	20 TO 18	20 + 1/16	18 + 1/16	
RE-PVC-24-12	24 TO 12	24 + 1/16	12.75 + 1/16	
RE-PVC-24-14	24 TO 14	24 + 1/16	14 + 1/16	
RE-PVC-24-16	24 TO 16	24 + 1/16	16 + 1/16	
RE-PVC-24-18	24 TO 18	24 + 1/16	18 + 1/16	
RE-PVC-24-20	24 TO 20	24 + 1/16	20 + 1/16	

*IF HEIGHT IS OF CONCERN PLEASE CONTACT CSSI TO DISCUSS

CUSTOM SIZE REDUCERS AVAILABLE UPON REQUEST

CONSTRUCTED FROM PVC DUCT AND TYPE I PVC SHEET FOR USE IN VENTILATION SYSTEMS

ALL DIMENSIONS IN INCHES